

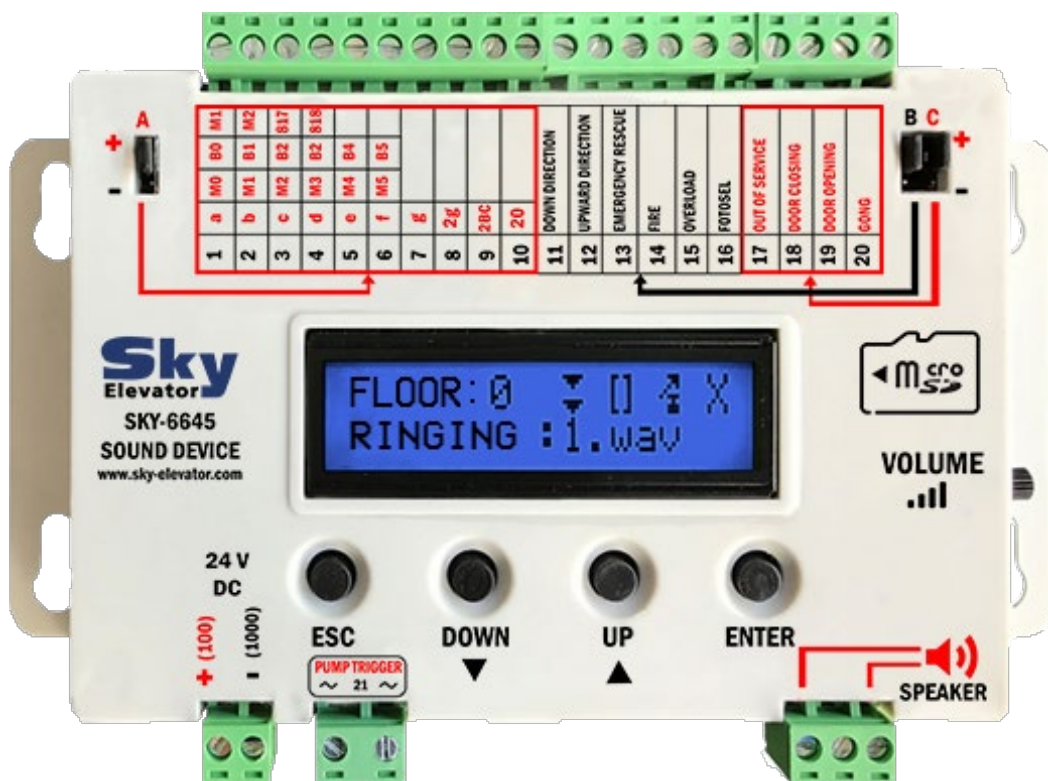
Sky Elevator[®]

Elevator Systems & Spare Parts

SKY-6645

UNIVERSAL ANONS SYSTEM V2.0

USER GUIDE



SKY 6645 is a voice announcement system specially developed for elevators. SKY 6645 can work in all parallel installation elevators in the market. The product includes hardware and software features in parallel with today's technology. It supports most of the warning types needed in the elevator. In addition, thanks to its superior software, it is possible to make sound adjustments very easily. If desired, more than one sound can be played in a certain order for an announcement (For example, playing the floor information in Turkish, English, Arabic, etc. one after the other).

The sounds to be played can be copied to MicroSD card in 44KHzWAV8 Bit Monoformat and can be used easily. You can convert your MP3 files to WAV in minutes with the conversion program included on the MicroSD card. The MicroSD card supports FAT/FAT32 file formats, giving you up to 32GB of memory space.

200-500 sounds can be loaded on a 4 GB MicroSD card.

A maximum of 999 music files can be uploaded to SKY 6645.

In addition, inputs and outputs are protected against over-voltage-current and reverse supply. The elevator floor signal inputs can be triggered with + and - voltages, providing flexibility of use.

With the 2x16 character LCD on the device, you can make all your settings very easily and quickly on the device without making any changes to the MicroSD card.

The device can be used in Binary, Gray and ML counter modes up to 64 times,? In segment mode, it supports multiples from 29 to 29.

Code System Operation Types:

- Normal Gray (M0, M1, M2, M3, M4, MS)
- Hopping Gray (starts from 00001) (M0, M1, M2, M3, M4, MS)
- Binary (B0, B1, B2, B3, B4, BS)
- Hopping Binary (starts from 00001) (B0, B1, B2, B3, B4, BS)
- 7 Segment (a, b, c, d, e, f, g, 2g, 10, 20)
- Single Tube Counter (M 1, 817, 818, DOWN DIRECTION, UP DIRECTION)
- DualTubeCounter (M1, M2, 817, 818, DOWNWARD, UPWARD)
- Parallel Special (Automatic Recognition Well Identification System)
- Counter Special (Special Tube Counter Systems)

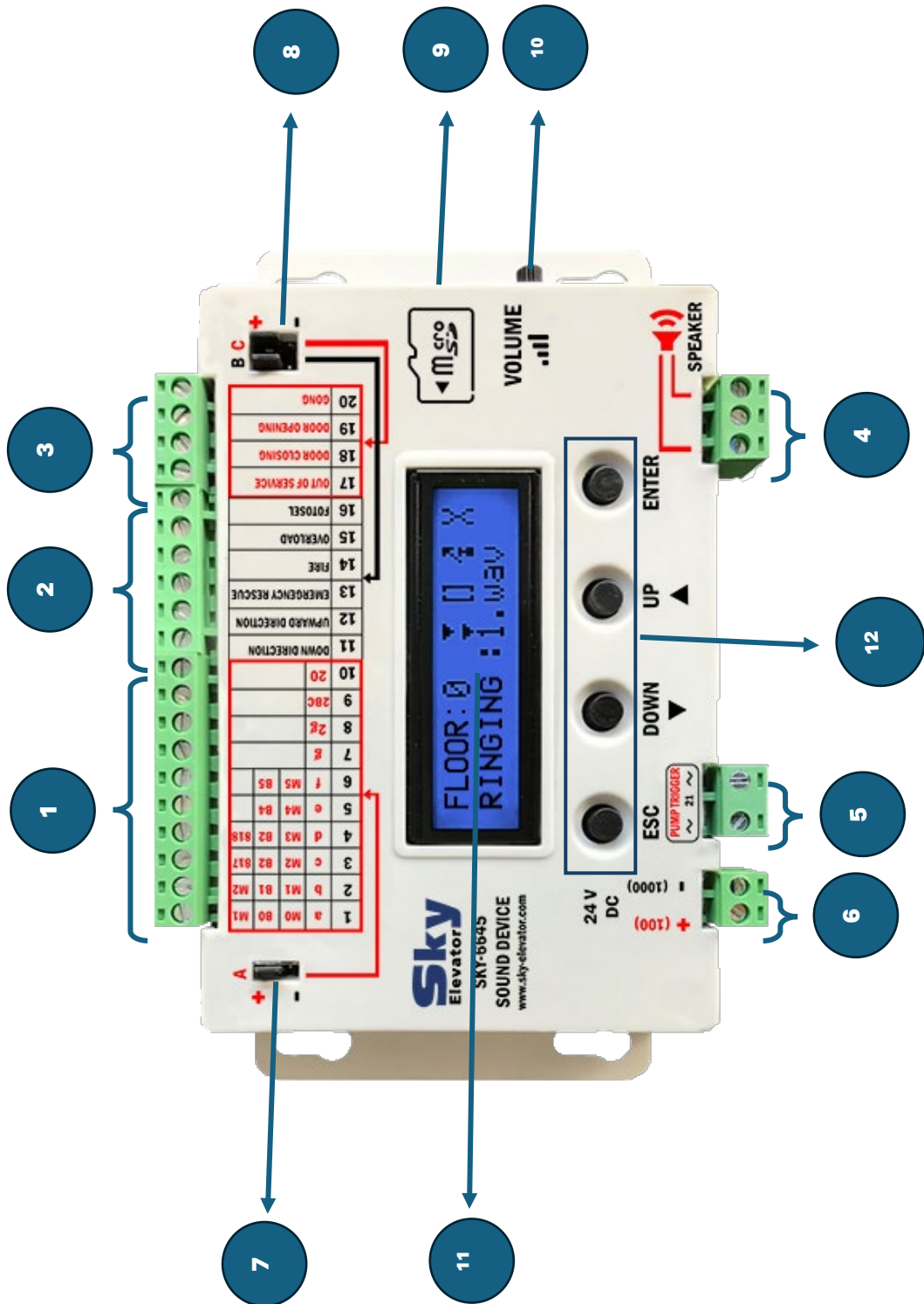
HIGHLIGHTS

- All settings can be made easily and quickly via buttons on the 2x16 LCD screen without making any changes in the microSD card.
- Announcement in 7 languages.
- On the Main Menu screen, the current Floor Number, the name of the music file being played and the symbols of Overload, Out of Service, Door Opening, Door Closing, Up Direction and Down Direction Signals are displayed.
- 2 different language announcements can be made consecutively. First Turkish and then English, first German and then French.
- Each signal input can be programmed separately and each input can be given a special sound signal.
- With the Well Identification feature, elevator floor signal inputs are automatically taught by the device at once. Even if the signals are mixed, the device recognizes the floor and gives the correct message.
- 24 V DC Trigger input as well as 220 V Trigger input for old elevators.
- Each signal input contact can be programmed as Open to Closed [A.K.] and Closed to Open [K.A.].
- Code inputs and Floor Signals can be operated in separate groups with + or - trigger via Jumper. The input operates in that polarity whichever way the jumper is inserted.
- The overall volume can be adjusted with Trimpot.
- Background sound and Announcement volume can be adjusted digitally via the device separately.
- The device does not cut the music while making announcements. It lowers the volume and mixes it with the Announcement.
- Background music and Gong can be activated or deactivated via the device if desired.

OVERVIEW

- 1) A Block Terminals (IO Floor Position Signal Inputs)
- 2) B Block Terminals (General Signal Inputs with G)
- 3) C Block Terminals (4 General Signal Inputs)
- 4) Speaker Input 5) 220 V AC Trigger Input
- 6) 24 V DC Supply Voltage Input
- 7) A Block Terminal Block Inputs Common Jumper
- 8) B-C Block Terminal Block Inputs Common Jumper
- 9) MicroSD Card Slot 10) General Volume Adjustment Trim
- 11) 2x16 LCD Display 12) Display Keypad

HIGHLIGHTS



ELECTRICAL PROPERTIES

	MAX	MIN	Recommended	Unit
Supply Voltage	30	10	24	VOLT-DC
Operating Temperature	60	5	25	°C
DC Signal Input	30	17	24	V
Voltage Current Drawn	200	-	-	mA
Audio Output	3W	-	-	Watt
Power Speaker Impedance	16	4	4	Ohm

ELECTRICAL PROPERTIES

ENTER MENU

Press and hold ENTER for 1 second

TRANSITION BETWEEN MENUS

ENTER key to next menu ESC key to previous menu

CHANGING MENU VALUES

Increase the menu value with the UP button and decrease the menu value with the DOWN button. If you press and hold the UP and DOWN buttons, you can increase and decrease the values quickly.

SAVE AND EXIT

After making your settings, press ENTER and ESC keys together. Press UP to record and DOWN to CANCEL.

SWITCHING BETWEEN SONGS

While on the main screen, press UP to move to the next song and DOWN to move to the previous song. If you hold it down, there will be a rapid increase and decrease.

TESTING THE INPUTS

Inputs of the device can be triggered with + or - via jumpers. To test the first 16 inputs, press the ESC and DOWN buttons 1 time. Inputs will appear as O on the screen. When you signal the appropriate input, see 1. Press ESC and DOWN again to test the last 5 inputs.

Press ESC and DOWN one more time to check all inputs one by one and to hear the sound of the signal. Then use the UP and DOWN buttons to switch between the inputs. When there is no signal on the input, [O] is displayed, when a signal is given, it becomes [1] and announces the relevant voice announcement.

ADDING A PRIVATE MESSAGE TO THE FLOOR

For example, let's add a TERRACE message to the 5th floor. Press ENTER key for 1 second and enter the menu. Use the UP and DOWN buttons to move the < sign to the ANNOUNCEMENT SETTINGS! option. There will be a < sign on the selected line. Press the ENTER key. In the ANNOUNCEMENTS SETTINGS! section, use the UP and DOWN buttons to select the 2nd ANNOUNCEMENT option and press ENTER.

There will be 2 options as LEVEL and 2nd ANNOUNCEMENT. LEVEL indicates to which floor you will add a message. Select LEVEL with UP and DOWN buttons and press ENTER button. The > sign will start blinking. Move the LEVEL to 5 with UP and DOWN buttons. Press ENTER and save. Press UP and DOWN buttons to move the > sign to 2nd ANNOUNCE. The default value is CANCEL, i.e. off.

The sign will start blinking. Use the UP and DOWN buttons to change the audio file. In this example we will add a TERRACE message. Find the name of the Teras floor file in the AUDIO LIST. In the list the TERRACE floor is file 97.WAV. Move to file 97.WAV with UP and DOWN. If you keep pressing down, it will increase and decrease fast. The file you have selected will also be read aloud for control purposes.

Press the ENTER key. Press the ESC key and exit the menu. Press UP to complete the process and complete the recording.

You can send your own special audio files to the Customer Folder in the MicroSd card and you can also send special messages in the same way.

WELL IDENTIFICATION FEATURE (AUTOMATIC ENTRANCE RECOGNITION SYSTEM)

With the Well Identification feature, you can automatically identify the elevator stops to the device. In this way, your system will work if you connect which cable in which order.

FIRST MAKE YOUR CONNECTIONS AND BRING THE ELEVATOR TO THE LOWEST FLOOR!

For Well Identification, first make your settings such as LOWEST FLOOR, NUMBER OF STOPS and then set the CODING SYSTEM to PARALLEL SPECIAL. Then save your settings by pressing ENTER and ESC keys together. The system will reset and reopen.

Press the ENTER button for 1 second and enter the Menu. Press the ENTER key to select the WELL IDENTIFICATION option activated with the UP and DOWN buttons. Press ENTER button to start and ESC button to cancel.

When you press ENTER button, the device will be ready to recognize the floors. SEND THE ELEVATOR TO THE TOP FLOOR. Each time the floor changes, the device will automatically detect and record this change. Press ENTER when the elevator reaches the top floor. Press UP key to complete the recording process.

The changes will be saved and the device will restart. Now the SKY 6645 ANNOUNCEMENT system is ready for operation.

MICROSD CARD FILES

SKY 6645 Announcement system supports MicroSd cards from 1GB to 32 GB. The main folders on the card are as follows:

AdvertFolder: The sounds in this folder are the sounds to be used for advertising purposes. This feature is not used in this version.

Musics.Folder: The music files that the SKY 6645 Announcement system will play in the background are located in this folder. File names should be between 1.WAV and 999.WAV.

Sounds_Lang.Folder: Basic sound files that SKY 6645 Announcement System will play are in this folder. See Sound List. There are announcement files in 7 languages in this folder.

Arabic : Arabic

English : English

French : French

German :German

Italian : Italian

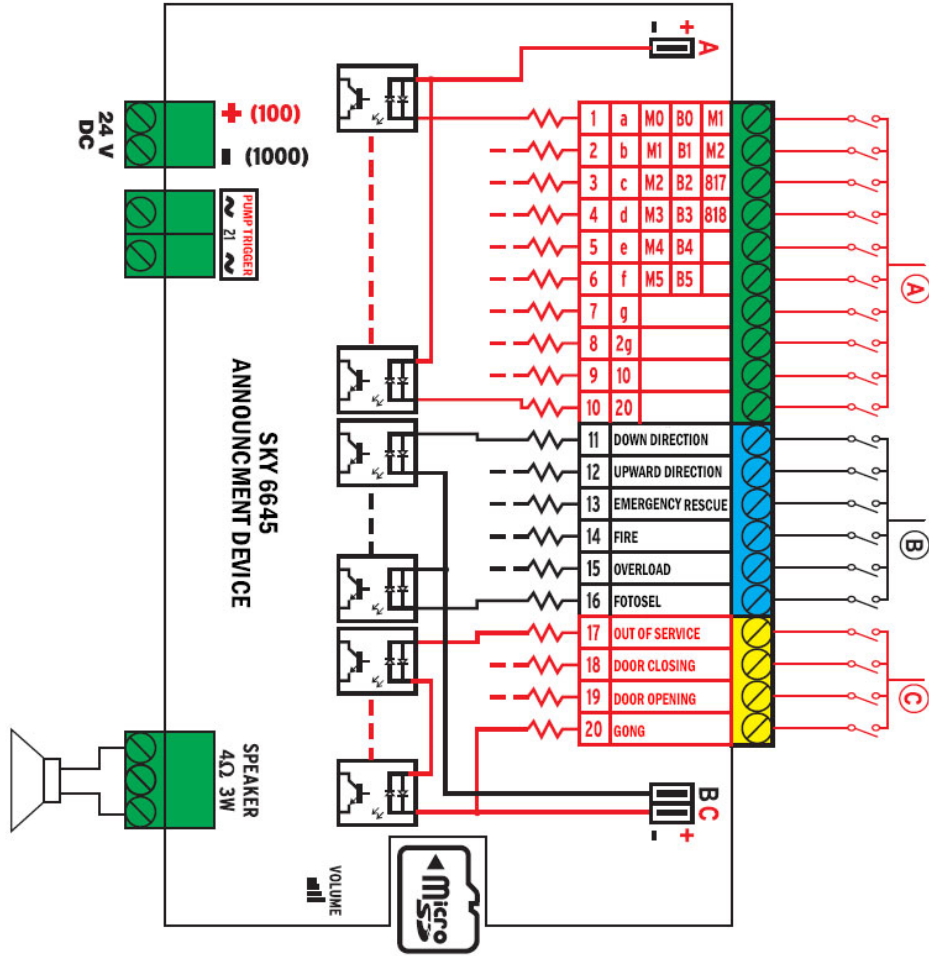
Russian : Russian

Turkish : Turkish

Customer Folder : It is the folder where special purpose 2nd announcements are located. File names in this folder should be between 1.WAV and 500.WAV.

System Folder: This folder contains the system files of the SKY 6645 Announcement Device. Do not make changes in this folder.

SAMPLE CONNECTION DIAGRAM



ANNOUNCEMENT SYSTEM AUDIO FILE NUMBERS

NO.	MESSAGE		NO.	MESSAGE		NO.	MESSAGE
1. wav	Floor 0		33. wav	Floor 64		65. wav	Floor 64
2. wav	Floor 1		34. wav	Floor -1		66. wav	-1. Floor
3. wav	Floor 2		35. wav	Floor -2		67. wav	-2. Floor
4. wav	Floor 3		36. wav	Floor -3		68. wav	-3. Floor
5. wav	Floor 4		37. wav	Floor -4		69. wav	-4. Floor
6. wav	Floor 5		38. wav	Floor -5		70. wav	-5. Floor
7. wav	Floor 6		39. wav	Floor -6		71. wav	-6. Floor
8. wav	Floor 7		40. wav	Floor -7		72. wav	-7. Floor
9. wav	Floor 8		41. wav	Floor 8		73. wav	Entrance Floor
10. wav	Floor 9		42. wav	Floor 9		74. wav	Mezzanine Floor
11. wav	Floor 10		43. wav	Floor 10		75. wav	Basement Floor
12. wav	Floor 11		44. wav	Floor 11		76. wav	Basement Lower First Floor
13. wav	Floor 12		45. wav	Floor 12		77. wav	Basement Lower Second Floor
14. wav	Floor 13		46. wav	Floor 13		78. wav	Basement Lower Third Floor
15. wav	Floor 14		47. wav	Floor 14		79. wav	Basement Lower Fourth Floor
16. wav	Floor 15		48. wav	Floor 15		80. wav	Basement Lower Fifth Floor
17. wav	Floor 16		49. wav	Floor 16		81. wav	Garage Floor
18. wav	Floor 17		50. wav	Floor 17		82. wav	Shopping Floor
19. wav	Floor 18		51. wav	Floor 18		83. wav	Dining Floor
20. wav	Floor 19		52. wav	Floor 19		84. wav	Cinema Floor
21. wav	Floor 20		53. wav	Floor 20		85. wav	Theater Floor
22. wav	Floor 21		54. wav	Floor 21		86. wav	Cinema and Theater Floor
23. wav	Floor 22		55. wav	Floor 22		87. wav	1. PARK Floor
24. wav	Floor 23		56. wav	Floor 23		88. wav	2. PARK Floor
25. wav	Floor 24		57. wav	Floor 24		89. wav	3. PARK Floor
26. wav	Floor 25		58. wav	Floor 25		90. wav	4. PARK Floor
27. wav	Floor 26		59. wav	Floor 26		91. wav	5. PARK Floor
28. wav	Floor 27		60. wav	Floor 27		92. wav	6. PARK Floor
29. wav	Floor 28		61. wav	Floor 28		93. wav	7. PARK Floor
30. wav	Floor 29		62. wav	Floor 29		94. wav	Reception Floor
31. wav	Floor 30		63. wav	Floor 30		95. wav	Bar Floor
32. wav	Floor 31		64. wav	Floor 31		96. wav	Restaurant Floor

ANNOUNCEMENT SYSTEM AUDIO FILE NUMBERS

NO.	MESSAGE
97. wav	Roof Floor
98. wav	Pool Floor
99. wav	Casino Floor
100. wav	Main Entrance
101. wav	International Arrivals
102. wav	Domestic Arrivals
103. wav	International Departures
104. wav	Domestic Departures
105. wav	Going Up
106. wav	Going Down
107. wav	Door Opening
108. wav	Door Closing
109. wav	Elevator Overloaded
110. wav	Elevator Overloaded, Please Unload the Cabin
111. wav	Photocell Signal Activated
112. wav	Please Do Not Obstruct Door Closing
113. wav	Elevator Out of Service
114. wav	Emergency Call Accepted
115. wav	Elevator Out of Service
116. wav	Elevator Emergency Key Active, Please Exit the Elevator if Unauthorized
117. wav	Elevator Power Cut, Please Press Alarm Button for Assistance
118. wav	Lobby
119. wav	Private Call Accepted, Please Exit the Elevator
120. wav	Please Try to Open the Door Manually
121. wav	Fire Alarm Activated, Doors Will Open on the Closest Floor. Please Empty the Cabin
122. wav	Fireman Elevator, Stop
123. wav	Earthquake Signal Activated, Doors Will Open on the Closest Floor. Please Empty the Cabin
124. wav	Emergency Rescue Activated, Bringing You to the Closest Floor and Opening the Doors. Please Do Not Move Until You Hear the Door Opening Signal and Do Not Force the Doors
125. wav	Alarm Button Pressed, Going to the Closest Floor and Stopping
126. wav	Panic Button Pressed, Going to the Closest Floor and Stopping
127. wav	Front Door Opening
128. wav	Front Door Closing
129. wav	Back Door Opening
130. wav	Back Door Closing
131. wav	Ding Dong
132. wav	Ding



Sky Elevator[®]

Elevator Systems & Spare Parts

www.sky-elevator.com

www.sky-elevator.EU