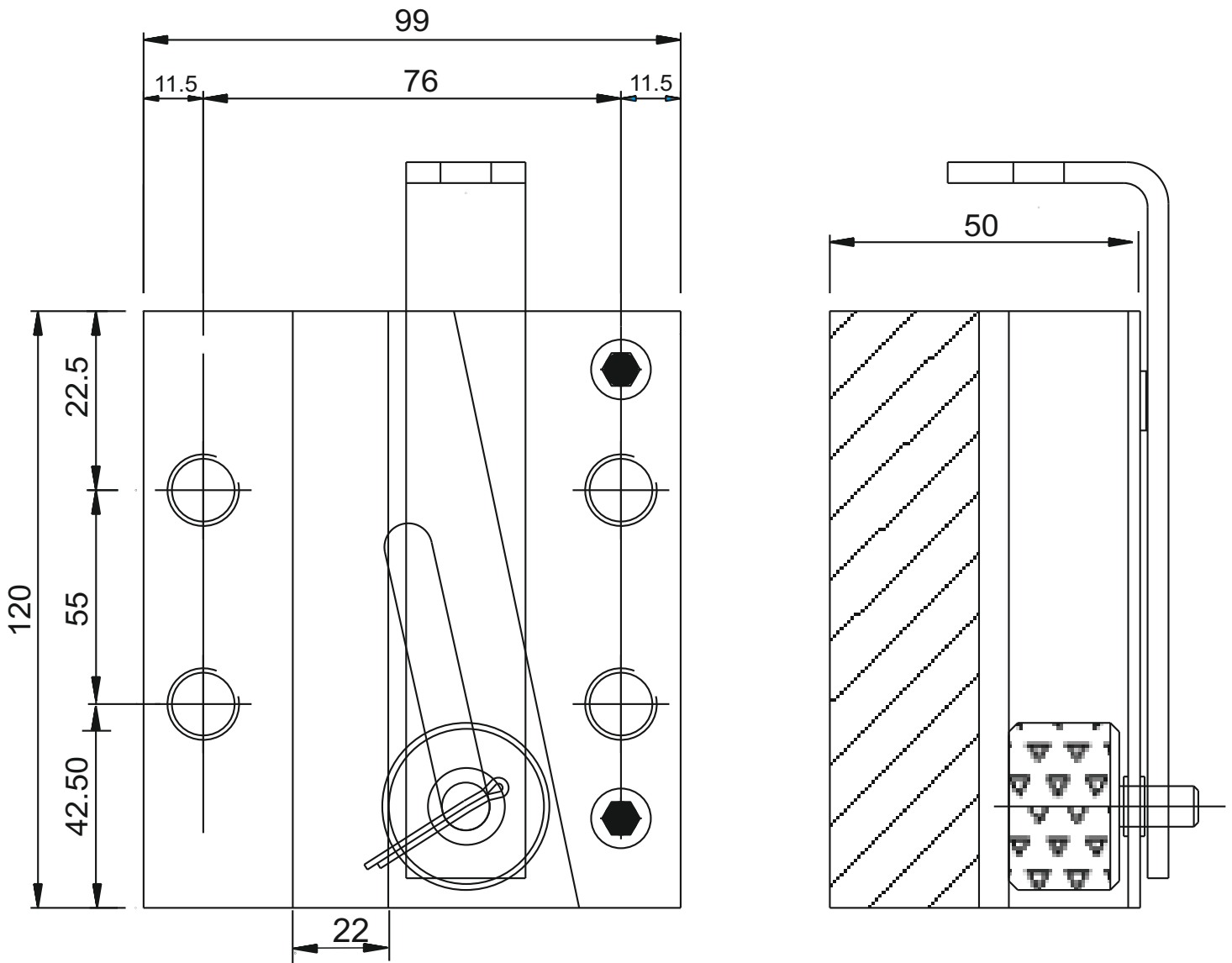




**Sky**  
Elevator  
www.sky-elevator.com



CODE	RAILS	MAX NORMAL SPEED	TRIPPING SPEED	HOLES	MATERIAL	GUIDE RAIL PROCESSING
Skyl-55I	16 mm	0.63m/s -1.10m/s	1.5 m/s	M12	C 5	OILED / DRY