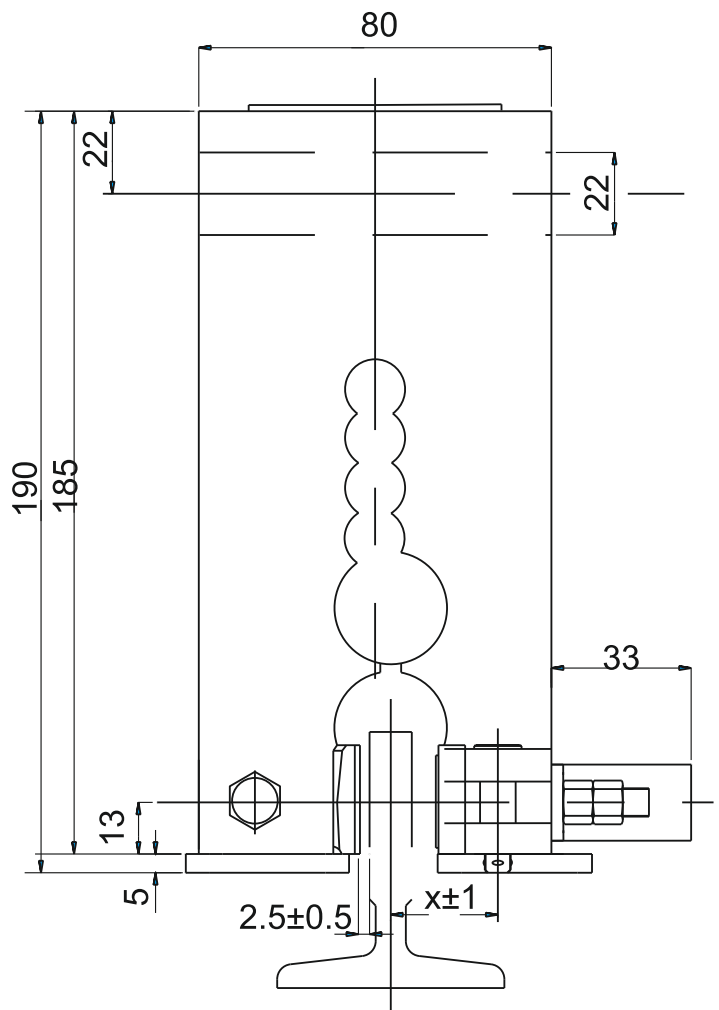
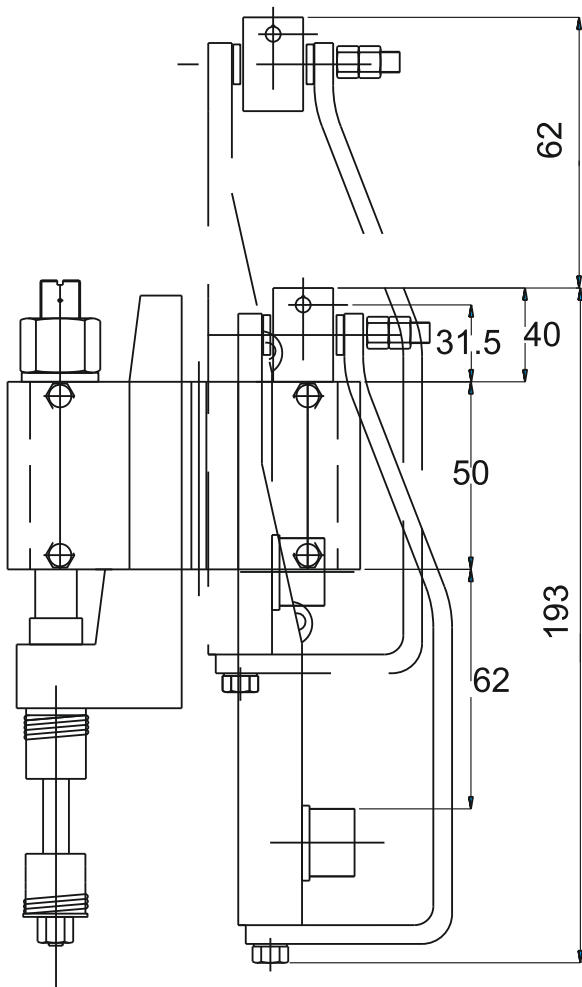
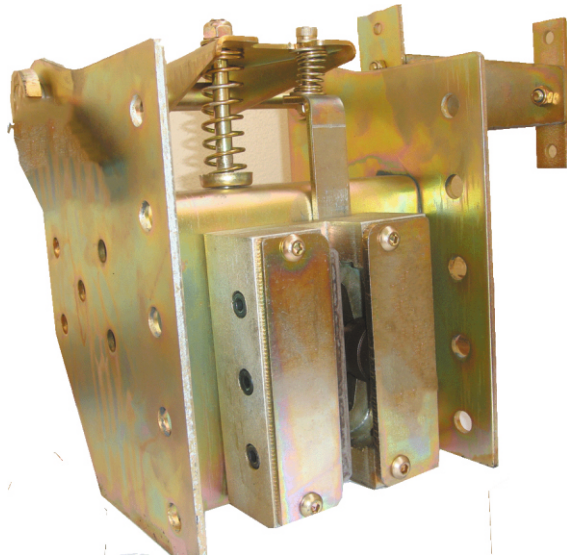




**Sky**  
Elevator  
www.sky-elevator.com



CODE	RAILS	MAX NORMAL SPEED	MAX GOVERNOR INTERVENTION SPEED	GUIDE RAIL PROCESSING
<b>Sky-502</b>	8-9-10 & 16	0.63 - 2.5	1.10 - 2.75	Oiled / Dry