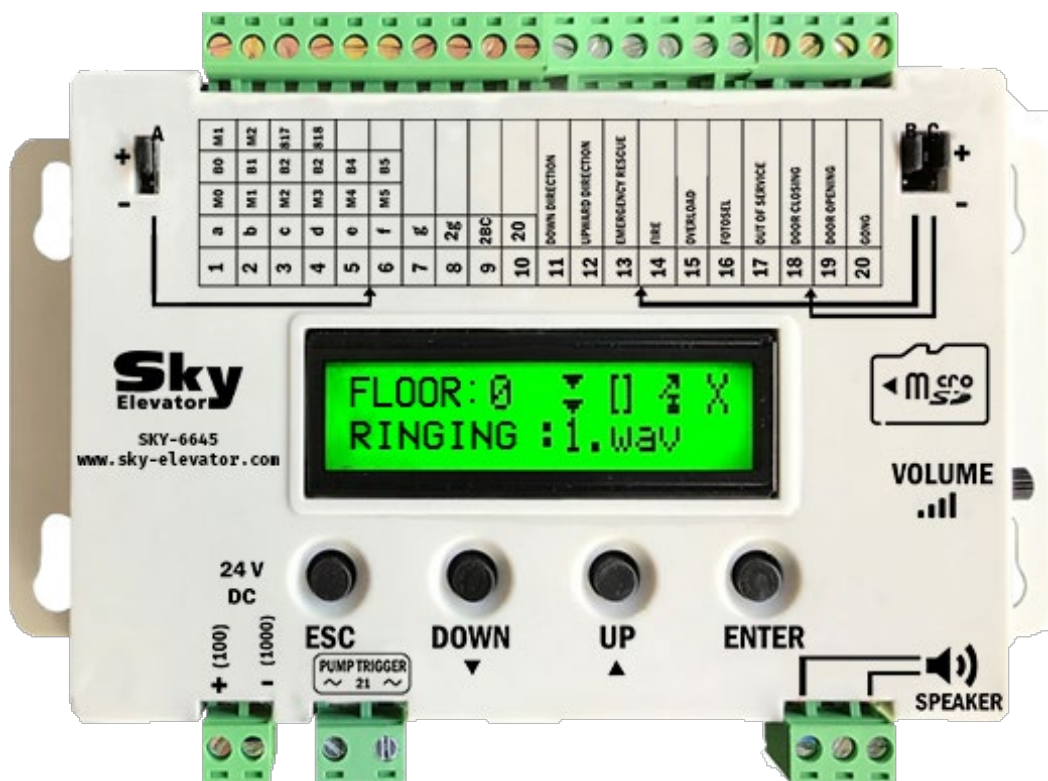


# Sky Elevator®

*Elevator Systems & Spare Parts*

## SKY-6645

# UNIVERSAL ANONS SYSTEM V2.0 USER GUIDE





SKY 6645 is a voice announcement system specially developed for elevators. SKY 6645 can work in all parallel installation elevators in the market. The product includes hardware and software features in parallel with today's technology. It supports most of the warning types needed in the elevator. In addition, thanks to its superior software, it is possible to make sound adjustments very easily. If desired, more than one sound can be played in a certain order for an announcement (For example, playing the floor information in Turkish, English, Arabic, etc. one after the other).

The sounds to be played can be copied to MicroSD card in 44KHzWAV8 Bit Monoformat and can be used easily. You can convert your MP3 files to WAV in minutes with the conversion program included on the MicroSD card. The MicroSD card supports FAT/FAT32 file formats, giving you up to 32GB of memory space.

200-500 sounds can be loaded on a 4 GB MicroSD card.

A maximum of 999 music files can be uploaded to SKY 6645.

In addition, inputs and outputs are protected against over-voltage-current and reverse supply. The elevator floor signal inputs can be triggered with + and - voltages, providing flexibility of use.

With the 2x16 character LCD on the device, you can make all your settings very easily and quickly on the device without making any changes to the MicroSD card.

The device can be used in Binary, Gray and ML counter modes up to 64 times,? In segment mode, it supports multiples from 29 to 29.

### Code System Operation Types:

- Normal Gray (M0, M1, M2, M3, M4, MS)
- Hopping Gray (starts from 00001) (M0, M1, M2, M3, M4, MS)
- Binary (B0, B1, B2, B3, B4, BS)
- Hopping Binary (starts from 00001) (B0, B1, B2, B3, B4, BS)
- 7 Segment (a, b, c, d, e, f, g, 2g, 10, 20)
- Single Tube Counter (M 1, 817, 818, DOWN DIRECTION, UP DIRECTION)
- DualTubeCounter (M1, M2, 817, 818, DOWNWARD, UPWARD)
- Parallel Special (Automatic Recognition Well Identification System)
- Counter Special (Special Tube Counter Systems)

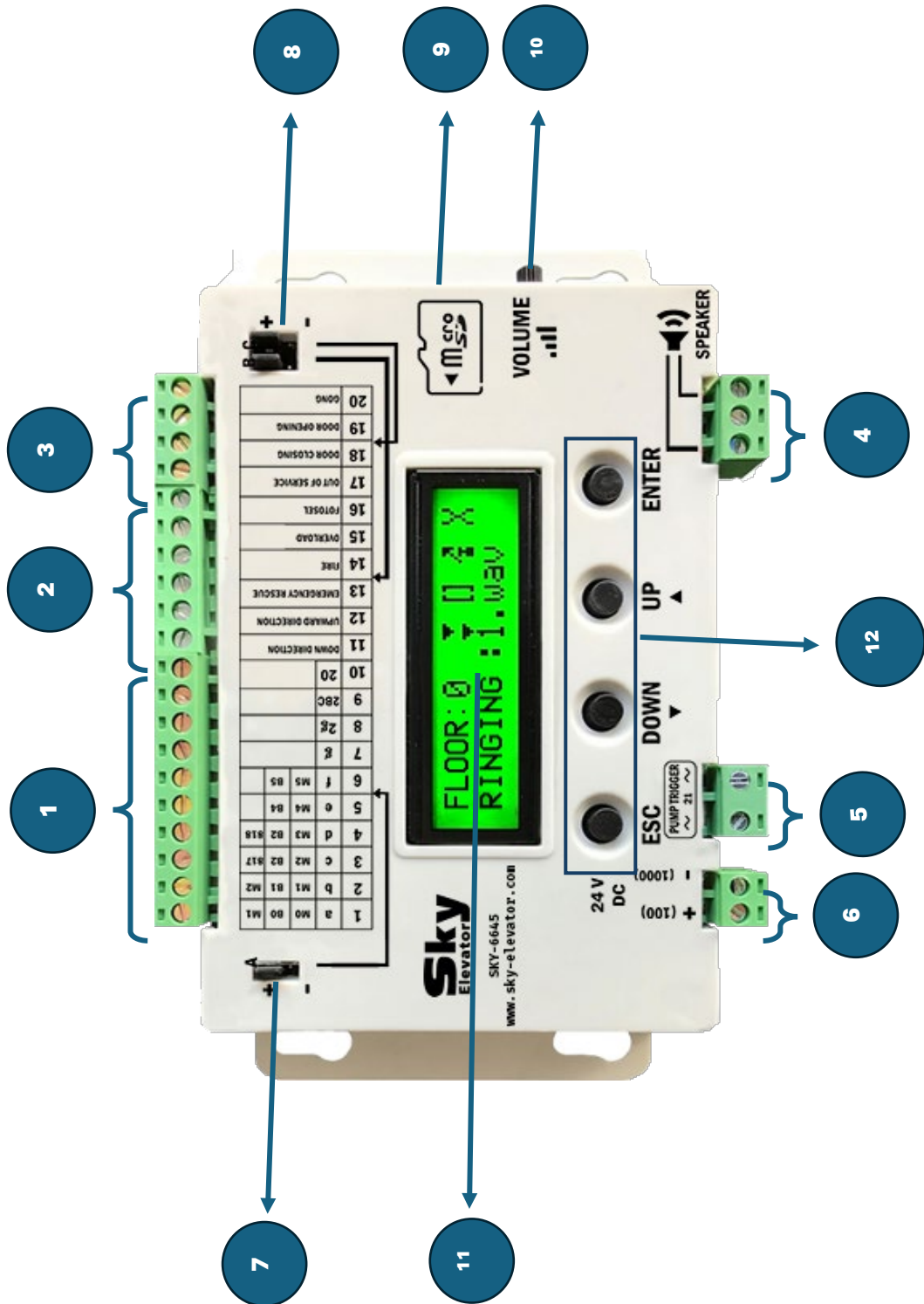
## HIGHLIGHTS

- All settings can be made easily and quickly via buttons on the 2x16 LCD screen without making any changes in the microSD card.
- Announcement in 7 languages.
- On the Main Menu screen, the current Floor Number, the name of the music file being played and the symbols of Overload, Out of Service, Door Opening, Door Closing, Up Direction and Down Direction Signals are displayed.
- 2 different language announcements can be made consecutively. First Turkish and then English, first German and then French.
- Each signal input can be programmed separately and each input can be given a special sound signal.
- With the Well Identification feature, elevator floor signal inputs are automatically taught by the device at once. Even if the signals are mixed, the device recognizes the floor and gives the correct message.
- 24 V DC Trigger input as well as 220 V Trigger input for old elevators.
- Each signal input contact can be programmed as Open to Closed [A.K.] and Closed to Open [K.A.].
- Code inputs and Floor Signals can be operated in separate groups with + or - trigger via Jumper. The input operates in that polarity whichever way the jumper is inserted.
- The overall volume can be adjusted with Trimpot.
- Background sound and Announcement volume can be adjusted digitally via the device separately.
- The device does not cut the music while making announcements. It lowers the volume and mixes it with the Announcement.
- Background music and Gong can be activated or deactivated via the device if desired.

## OVERVIEW

- 1) A Block Terminals (IO Floor Position Signal Inputs)
- 2) B Block Terminals (General Signal Inputs with G)
- 3) C Block Terminals (4 General Signal Inputs)
- 4) Speaker Input    5) 220 V AC Trigger Input
- 6) 24 V DC Supply Voltage Input
- 7) A Block Terminal Block Inputs Common Jumper
- 8) B-C Block Terminal Block Inputs Common Jumper
- 9) MicroSD Card Slot    10) General Volume Adjustment Trim
- 11) 2x16 LCD Display    12) Display Keypad

# HIGHLIGHTS



## ELECTRICAL PROPERTIES

|                         | MAX | MIN | Recommended | Unit    |
|-------------------------|-----|-----|-------------|---------|
| Supply Voltage          | 30  | 10  | 24          | VOLT-DC |
| Operating Temperature   | 60  | 5   | 25          | °C      |
| DC Signal Input         | 30  | 17  | 24          | V       |
| Voltage Current Drawn   | 200 | -   | -           | mA      |
| Audio Output            | 3W  | -   | -           | Watt    |
| Power Speaker Impedance | 16  | 4   | 4           | Ohm     |

## ELECTRICAL PROPERTIES

### ENTER MENU

Press and hold ENTER for 1 second

### TRANSITION BETWEEN MENUS

ENTER key to next menu ESC key to previous menu

### CHANGING MENU VALUES

Increase the menu value with the UP button and decrease the menu value with the DOWN button. If you press and hold the UP and DOWN buttons, you can increase and decrease the values quickly.

### SAVE AND EXIT

After making your settings, press ENTER and ESC keys together. Press UP to record and DOWN to CANCEL.

### SWITCHING BETWEEN SONGS

While on the main screen, press UP to move to the next song and DOWN to move to the previous song. If you hold it down, there will be a rapid increase and decrease.

### TESTING THE INPUTS

Inputs of the device can be triggered with + or - via jumpers. To test the first 16 inputs, press the ESC and DOWN buttons 1 time. Inputs will appear as O on the screen. When you signal the appropriate input, see 1. Press ESC and DOWN again to test the last 5 inputs.

Press ESC and DOWN one more time to check all inputs one by one and to hear the sound of the signal. Then use the UP and DOWN buttons to switch between the inputs. When there is no signal on the input, [O] is displayed, when a signal is given, it becomes [1] and announces the relevant voice announcement.

### ADDING A PRIVATE MESSAGE TO THE FLOOR

For example, let's add a TERRACE message to the 5th floor. Press ENTER key for 1 second and enter the menu. Use the UP and DOWN buttons to move the < sign to the ANNOUNCEMENT SETTINGS! option. There will be a < sign on the selected line. Press the ENTER key. In the ANNOUNCEMENTS SETTINGS! section, use the UP and DOWN buttons to select the 2nd ANNOUNCEMENT option and press ENTER.

There will be 2 options as LEVEL and 2nd ANNOUNCEMENT. LEVEL indicates to which floor you will add a message. Select LEVEL with UP and DOWN buttons and press ENTER button. The > sign will start blinking. Move the LEVEL to 5 with UP and DOWN buttons. Press ENTER and save. Press UP and DOWN buttons to move the > sign to 2nd ANNOUNCE. The default value is CANCEL, i.e. off.

The sign will start blinking. Use the UP and DOWN buttons to change the audio file. In this example we will add a TERRACE message. Find the name of the Teras floor file in the AUDIO LIST. In the list the TERRACE floor is file 97.WAV. Move to file 97.WAV with UP and DOWN. If you keep pressing down, it will increase and decrease fast. The file you have selected will also be read aloud for control purposes.

Press the ENTER key. Press the ESC key and exit the menu. Press UP to complete the process and complete the recording.

You can send your own special audio files to the Customer Folder in the MicroSd card and you can also send special messages in the same way.

### WELL IDENTIFICATION FEATURE (AUTOMATIC ENTRANCE RECOGNITION SYSTEM)

With the Well Identification feature, you can automatically identify the elevator stops to the device. In this way, your system will work if you connect which cable in which order.

### **FIRST MAKE YOUR CONNECTIONS AND BRING THE ELEVATOR TO THE LOWEST FLOOR!**

For Well Identification, first make your settings such as LOWEST FLOOR, NUMBER OF STOPS and then set the CODING SYSTEM to PARALLEL SPECIAL. Then save your settings by pressing ENTER and ESC keys together. The system will reset and reopen.

Press the ENTER button for 1 second and enter the Menu. Press the ENTER key to select the WELL IDENTIFICATION option activated with the UP and DOWN buttons. Press ENTER button to start and ESC button to cancel.

When you press ENTER button, the device will be ready to recognize the floors. SEND THE ELEVATOR TO THE TOP FLOOR. Each time the floor changes, the device will automatically detect and record this change. Press ENTER when the elevator reaches the top floor. Press UP key to complete the recording process.

The changes will be saved and the device will restart. Now the SKY 6645 ANNOUNCEMENT system is ready for operation.

## MICROSD CARD FILES

SKY 6645 Announcement system supports MicroSd cards from 1GB to 32 GB. The main folders on the card are as follows:

*AdvertFolder*: The sounds in this folder are the sounds to be used for advertising purposes. This feature is not used in this version.

*Musics.Folder*: The music files that the SKY 6645 Announcement system will play in the background are located in this folder. File names should be between 1.WAV and 999.WAV.

*Sounds\_Lang.Folder*: Basic sound files that SKY 6645 Announcement System will play are in this folder. See Sound List. There are announcement files in 7 languages in this folder.

Arabic : Arabic

English : English

French : French

German :German

Italian : Italian

Russian : Russian

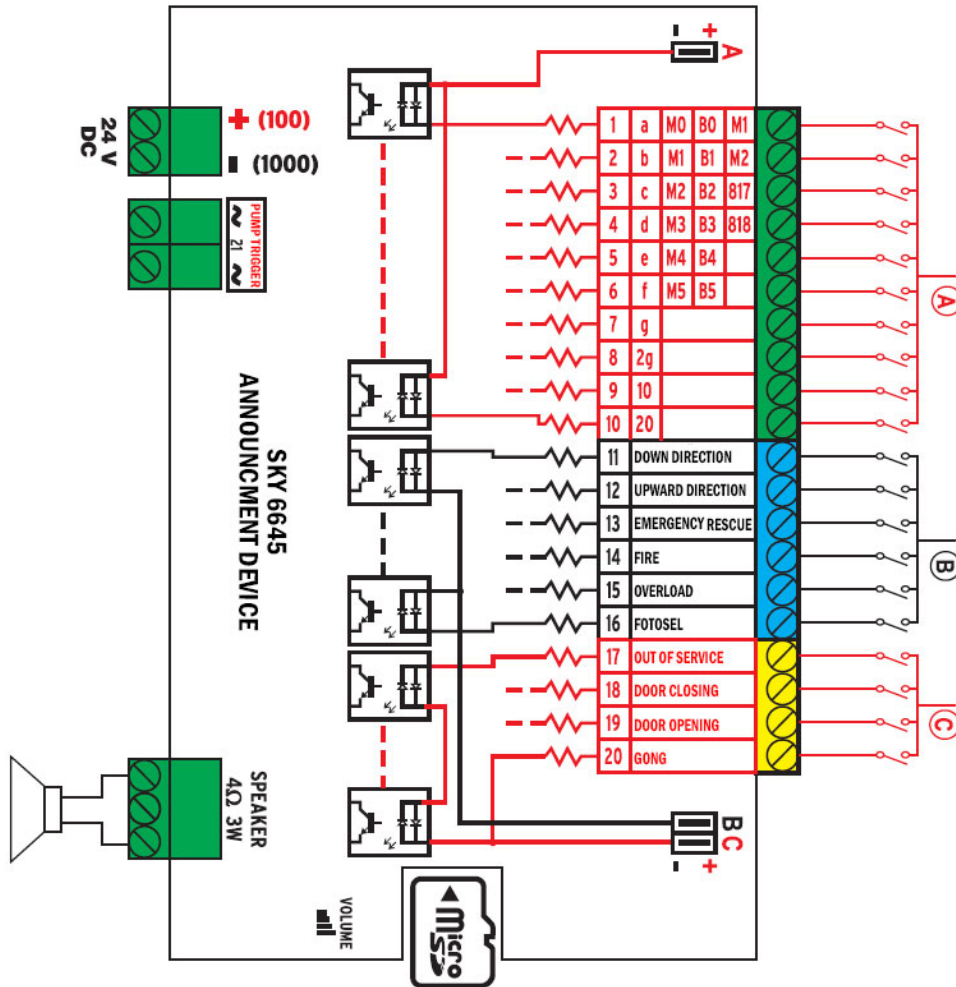
Turkish : Turkish

**Customer Folder** : It is the folder where special purpose 2nd announcements are located. File names in this folder should be between 1.WAV and 500.WAV.

**System Folder**: This folder contains the system files of the SKY 6645 Announcement Device. Do not make changes in this folder.



# SAMPLE CONNECTION DIAGRAM



## ANNOUNCEMENT SYSTEM AUDIO FILE NUMBERS

| NO.     | MESSAGE  |  | NO.     | MESSAGE  |  | NO.     | MESSAGE                     |
|---------|----------|--|---------|----------|--|---------|-----------------------------|
| 1. wav  | Floor 0  |  | 33. wav | Floor 64 |  | 65. wav | Floor 64                    |
| 2. wav  | Floor 1  |  | 34. wav | Floor -1 |  | 66. wav | -1. Floor                   |
| 3. wav  | Floor 2  |  | 35. wav | Floor -2 |  | 67. wav | -2. Floor                   |
| 4. wav  | Floor 3  |  | 36. wav | Floor -3 |  | 68. wav | -3. Floor                   |
| 5. wav  | Floor 4  |  | 37. wav | Floor -4 |  | 69. wav | -4. Floor                   |
| 6. wav  | Floor 5  |  | 38. wav | Floor -5 |  | 70. wav | -5. Floor                   |
| 7. wav  | Floor 6  |  | 39. wav | Floor -6 |  | 71. wav | -6. Floor                   |
| 8. wav  | Floor 7  |  | 40. wav | Floor -7 |  | 72. wav | -7. Floor                   |
| 9. wav  | Floor 8  |  | 41. wav | Floor 8  |  | 73. wav | Entrance Floor              |
| 10. wav | Floor 9  |  | 42. wav | Floor 9  |  | 74. wav | Mezzanine Floor             |
| 11. wav | Floor 10 |  | 43. wav | Floor 10 |  | 75. wav | Basement Floor              |
| 12. wav | Floor 11 |  | 44. wav | Floor 11 |  | 76. wav | Basement Lower First Floor  |
| 13. wav | Floor 12 |  | 45. wav | Floor 12 |  | 77. wav | Basement Lower Second Floor |
| 14. wav | Floor 13 |  | 46. wav | Floor 13 |  | 78. wav | Basement Lower Third Floor  |
| 15. wav | Floor 14 |  | 47. wav | Floor 14 |  | 79. wav | Basement Lower Fourth Floor |
| 16. wav | Floor 15 |  | 48. wav | Floor 15 |  | 80. wav | Basement Lower Fifth Floor  |
| 17. wav | Floor 16 |  | 49. wav | Floor 16 |  | 81. wav | Garage Floor                |
| 18. wav | Floor 17 |  | 50. wav | Floor 17 |  | 82. wav | Shopping Floor              |
| 19. wav | Floor 18 |  | 51. wav | Floor 18 |  | 83. wav | Dining Floor                |
| 20. wav | Floor 19 |  | 52. wav | Floor 19 |  | 84. wav | Cinema Floor                |
| 21. wav | Floor 20 |  | 53. wav | Floor 20 |  | 85. wav | Theater Floor               |
| 22. wav | Floor 21 |  | 54. wav | Floor 21 |  | 86. wav | Cinema and Theater Floor    |
| 23. wav | Floor 22 |  | 55. wav | Floor 22 |  | 87. wav | 1. PARK Floor               |
| 24. wav | Floor 23 |  | 56. wav | Floor 23 |  | 88. wav | 2. PARK Floor               |
| 25. wav | Floor 24 |  | 57. wav | Floor 24 |  | 89. wav | 3. PARK Floor               |
| 26. wav | Floor 25 |  | 58. wav | Floor 25 |  | 90. wav | 4. PARK Floor               |
| 27. wav | Floor 26 |  | 59. wav | Floor 26 |  | 91. wav | 5. PARK Floor               |
| 28. wav | Floor 27 |  | 60. wav | Floor 27 |  | 92. wav | 6. PARK Floor               |
| 29. wav | Floor 28 |  | 61. wav | Floor 28 |  | 93. wav | 7. PARK Floor               |
| 30. wav | Floor 29 |  | 62. wav | Floor 29 |  | 94. wav | Reception Floor             |
| 31. wav | Floor 30 |  | 63. wav | Floor 30 |  | 95. wav | Bar Floor                   |
| 32. wav | Floor 31 |  | 64. wav | Floor 31 |  | 96. wav | Restaurant Floor            |

**ANNOUNCEMENT SYSTEM AUDIO FILE NUMBERS**

| NO.      | MESSAGE   |
|----------|---|
| 97. wav  | Roof Floor  |
| 98. wav  | Pool Floor  |
| 99. wav  | Casino Floor  |
| 100. wav | Main Entrance   |
| 101. wav | International Arrivals  |
| 102. wav | Domestic Arrivals   |
| 103. wav | International Departures  |
| 104. wav | Domestic Departures   |
| 105. wav | Going Up  |
| 106. wav | Going Down  |
| 107. wav | Door Opening  |
| 108. wav | Door Closing  |
| 109. wav | Elevator Overloaded   |
| 110. wav | Elevator Overloaded, Please Unload the Cabin  |
| 111. wav | Photocell Signal Activated  |
| 112. wav | Please Do Not Obstruct Door Closing   |
| 113. wav | Elevator Out of Service   |
| 114. wav | Emergency Call Accepted   |
| 115. wav | Elevator Out of Service   |
| 116. wav | Elevator Emergency Key Active, Please Exit the Elevator if Unauthorized   |
| 117. wav | Elevator Power Cut, Please Press Alarm Button for Assistance  |
| 118. wav | Lobby   |
| 119. wav | Private Call Accepted, Please Exit the Elevator   |
| 120. wav | Please Try to Open the Door Manually  |
| 121. wav | Fire Alarm Activated, Doors Will Open on the Closest Floor. Please Empty the Cabin  |
| 122. wav | Fireman Elevator, Stop  |
| 123. wav | Earthquake Signal Activated, Doors Will Open on the Closest Floor. Please Empty the Cabin   |
| 124. wav | Emergency Rescue Activated, Bringing You to the Closest Floor and Opening the Doors. Please Do Not Move Until You Hear the Door Opening Signal and Do Not Force the Doors |
| 125. wav | Alarm Button Pressed, Going to the Closest Floor and Stopping   |
| 126. wav | Panic Button Pressed, Going to the Closest Floor and Stopping   |
| 127. wav | Front Door Opening  |
| 128. wav | Front Door Closing  |
| 129. wav | Back Door Opening   |
| 130. wav | Back Door Closing   |
| 131. wav | Ding Dong   |
| 132. wav | Ding  |



**Sky** Elevator<sup>®</sup>

*Elevator Systems & Spare Parts*

---

[www.sky-elevator.com](http://www.sky-elevator.com)

[www.sky-elevator.EU](http://www.sky-elevator.EU)