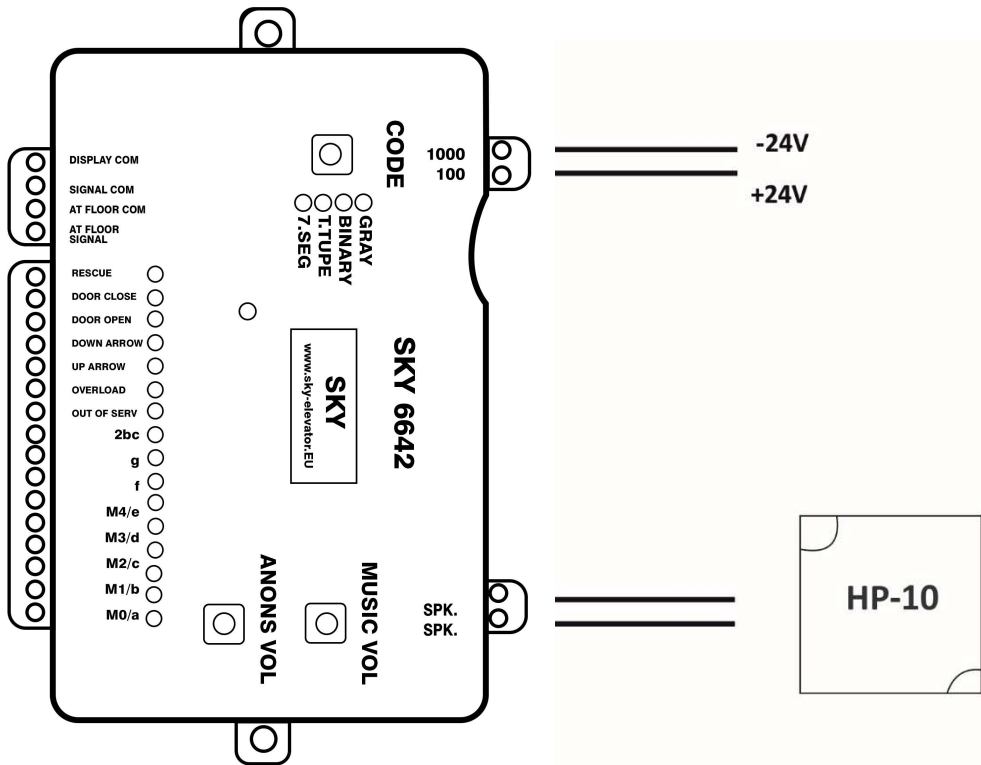




Sky Elevator®

Elevator Systems & Spare Parts

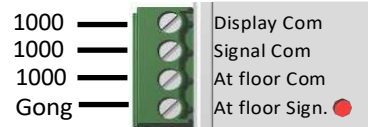
www.sky-elevator.com



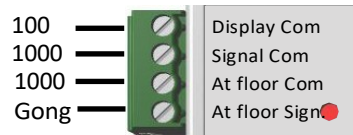
-
- Gray Code Inputs : M0 , M1 , M2 , M3 , M4
 - Binary Code Inputs : M0 , M1 , M2 , M3 , M4
 - T.Tup Code Inputs : M1 , M2-817 , M3-818
 - Seven Segment Code Inputs : a , b , c , d , e , f , g , 2g , 2bc
-

Select the code you want to run by pressing the "Code" button.

When you want to run gray , binary and T.Tup, connect to common pins as shown in the right figure.



When you want to run seven segment, connect the common pins as shown in the right figure.



Pressing the "Music Vol" button makes the music volume.

Pressing the "Anons Vol" button makes the announcement volume.
